

Type CIS

Surface Mount Slow Blow Chip Fuse

1206 size
RoHS Compliant

CISDI005



Electrical Characteristics (UL STD. 248-14)

Testing current	Blow Time	
	Minimum	Maximum
100%	4 hrs	N/A
200%	1 sec	120 sec
300%	0.1 sec	3 sec
800%	0.002 sec	0.05 sec

Approvals



Safety Agency Approvals	Amp range / Volt @ I.R. ability
UL Recognized File No. E20624	750mA - 5A / 63V @ 50A AC / DC

RoHS Compliant Product

RoHS Reflow Reference : JEDEC J-STD-020C (260°C, 40 sec max)

RoHS Wave Soldering Compatible : (260°C, 10 sec max)

Environmental Specification

Shock Resistance

MIL-STD-202G, Method 213B, Test Condition I
(100 G's peak for 6 milliseconds; Sawtooth Waveform)

Vibration Resistance

MIL-STD-202G, Method 201F (10-55 Hz, 0.06 inch, total excursion)

Salt Spray Resistance

MIL-STD-202G, Method 101E, Test condition B (48 hrs)

Insulation Resistance

MIL-STD-202G, Method 302, Test Condition A
(After Opening) 10,000 ohms minimum

Solderability

MIL-STD-202G, Method 208H

Soldering Heat Resistance

MIL-STD-202G Method 210F, Test Condition C. Top Side
(260°C, 20 sec)

MIL-STD-202G Method 210F, Test Condition D. Bottom Side
(260°C, 10 sec)

Thermal Shock Resistance

MIL-STD-202G, Method 107G, Test Condition B
(-65°C to +125°C)

Operating Temperature

-55°C to +125°C

Catalog Number	Ampere Rating	Typical Cold Resistance (ohm)	Volt-drop @100% In (Volt) max.	Melting I ² T @10 In (A ² Sec)	Maximum Power Dissipation (W)
CIS 750	750mA	0.420	0.442	0.037	0.40
CIS 1	1A	0.220	0.325	0.068	0.39
CIS 1.25	1.25A	0.215	0.363	0.11	0.54
CIS 1.5	1.5A	0.108	0.313	0.24	0.56
CIS 2	2A	0.098	0.250	0.44	0.60
CIS 2.5	2.5A	0.053	0.212	0.74	0.64
CIS 3	3A	0.040	0.189	1.11	0.68
CIS 3.5	3.5A	0.031	0.173	1.58	0.74
CIS 4	4A	0.026	0.165	2.00	0.79
CIS 5	5A	0.019	0.153	3.40	0.92

Consult manufacturer for other ratings

Physical Specification

Materials

Ceramic Substrate / Printed Element

Marking

On fuse:

None

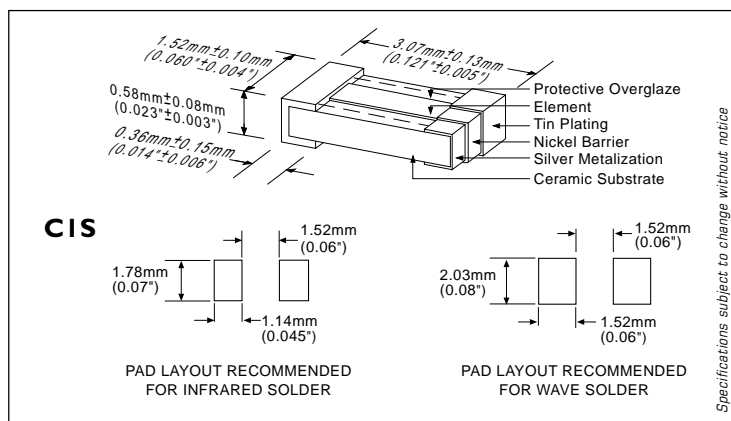
Label on reel:

“bel”, “CIS”, “Current Rating”, “Voltage Rating”, “Interrupting Rating”, “Appropriate Safety Logos” and “RoHS” for RoHS Version

Packaging

5,000 fuses in 7 inches dia. reel, 8 mm wide tape, 4 mm pitch per EIA-481 (equivalent IEC-286 part 3)

Mechanical Dimensions



Specifications subject to change without notice

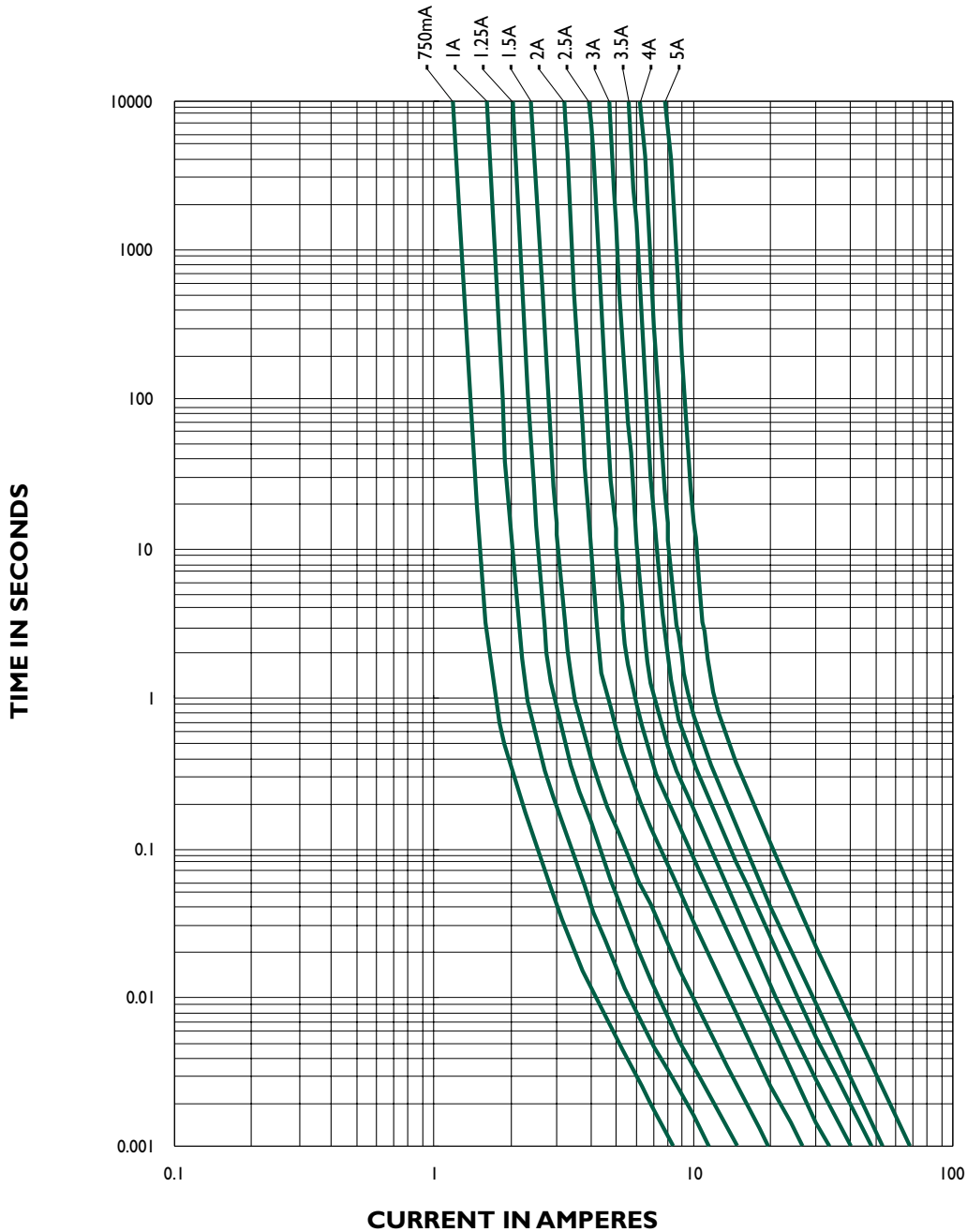
ORDERING INFORMATION SEE LAST 2 PAGES

Type CIS
Surface Mount Slow Blow Chip Fuse

1206 size
RoHS Compliant

CISC1004

CIS - TIME CURRENT CHARACTERISTIC CURVE



Specifications subject to change without notice

NOTE - see important information under "User Guide" on P.08

Corporate Office
Bel Fuse Inc.
206 Van Vorst Street, Jersey City, NJ 07302
Tel: 201-432-0463
Fax: 201-432-9542
E-Mail: belfuse@belfuse.com
Website: www.belfuse.com

Far East Office
Bel Fuse Ltd.
8F/8 Luk Hop Street
San Po Kong
Kowloon, Hong Kong
Tel: 852-2328-5515
Fax: 852-2352-3706

European Office
Bel Fuse Europe Ltd.
Preston Technology Management Centre
Marsh Lane, Preston PR1 8UD
Lancashire, U.K
Tel: 44-1772-556601
Fax: 44-1772-888366